



Mfg. of :
All kind of M.S. Barrels & Drums



PROFILE



Gurudev containers pvt. ltd. situated near Palanpur (N. Gujarat) a leading manufacturer of full range of barrels of 200/210 ltrs. and 235 ltrs. capacity Plain and Epoxy Coated.

A state of art manufacturing facility and is well equipped with the latest machinery for quality production. we have very strong team of qualified and experienced technical personnel of the same field. our daily production capacity is 600/700 barrels in 8 hrs. shift.

VISION



we strongly commit on time delivery with quality to constantly serve the needs and expectation of our customers.

MISSION



To Produce best quality products with the help of efficient and latest technology to meet customers all requirements

SPECIFICATION FOR 235 ltrs. Capacity

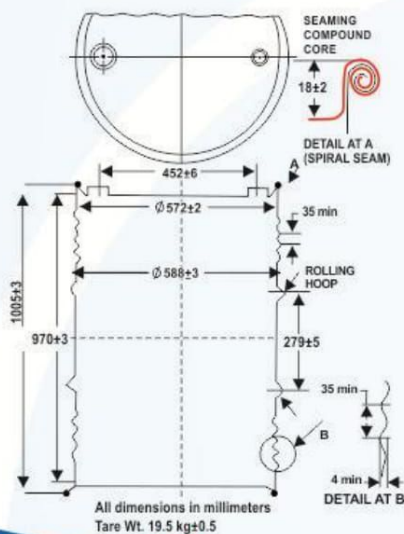


Fig. 1

SPECIFICATION FOR 235 ltrs. Capacity

The top & bottom ends shall be seamed to the body as shown in fig. 1. The seam is rolled seven layers of sheet with the seaming compound forming a cor at the joint of body and end sheet. the seaming compound is flexible and resistant to the product to be packed. The nominal thickness of steel sheet for body and ends is 1 mm.



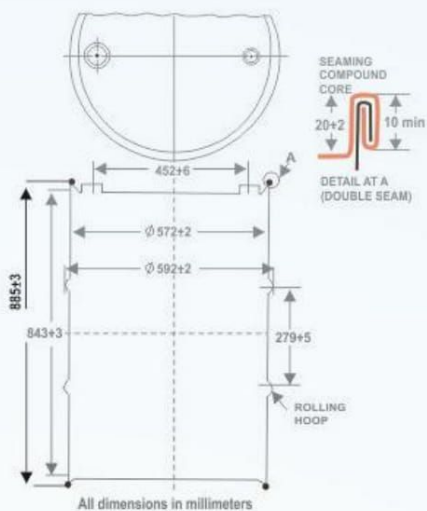


Fig. 2

Drums with double seam As per IS 1783(part 2)-1988 Type 1

The top & bottom ends are double seamed to the body as shown in fig. 2. Using a seaming compound resistant to the product to be packed, the nominal thickness of steel sheet for body and ends is 1.25 mm.

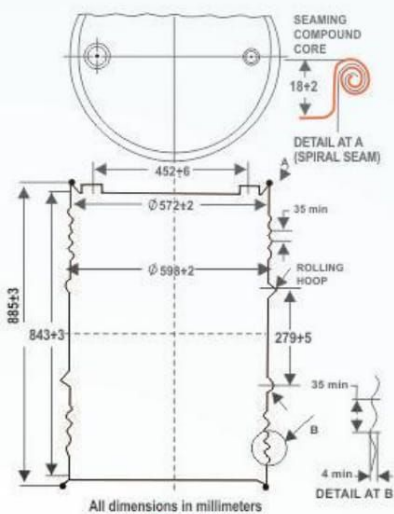


Fig. 3

Drums with Spiral /Triple Seam As per IS 1783(part 2)-1988 Type 2

The top & bottom ends shall be seamed to the body as shown in fig. 3. The seam is rolled seven layers of sheet with the seaming compound forming a cor at the joint of body and end sheet. the seaming compound is flexible and resistant to the product to be packed. The nominal thickness of steel sheet for body and ends is 1 mm.

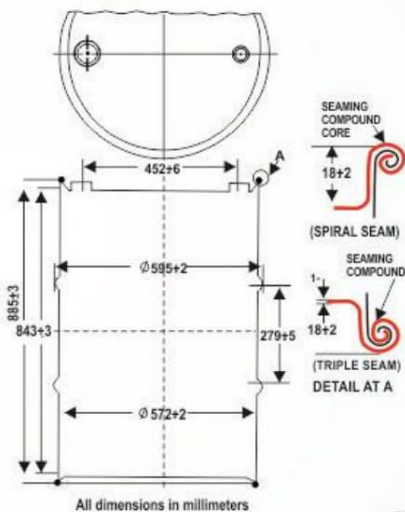
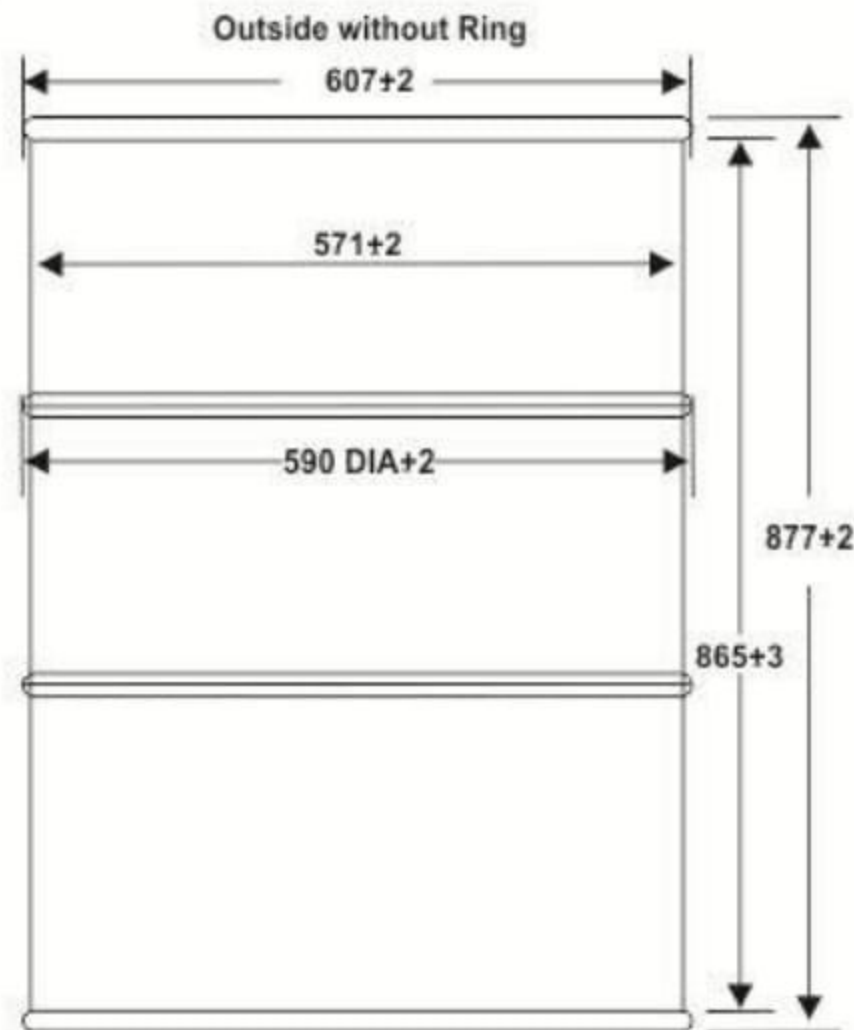


Fig. 4

Drums with Spiral /Triple Seam as per IS 1783(part 1)-1993 Grade A Type 2

The top & bottom ends shall be seamed to the body with 1.25 mm sheet thickness as shown in fig. 4.





Open Top Barrels

Open top barrels are manufactured as per the client requirement from fresh cold rolled sheets for storage, transportation and exporting of food stuffs and pulps, polymer resins, grease, sold paste materials etc. The inside plain and epoxy coating can be made as per requirement. Open top ring can be provided.



just
contact

Gurudev Containers Pvt. Ltd.

Survey No.38, Akesan Road, At & Post-Bhavisana, Ta-Palanpur
 Dist-Banaskantha (N.Guj) 385001, Phone:02742-281111
 E-mail: gurudevcontainers@gmail.com
 Web: www.gurudevcontainers.com